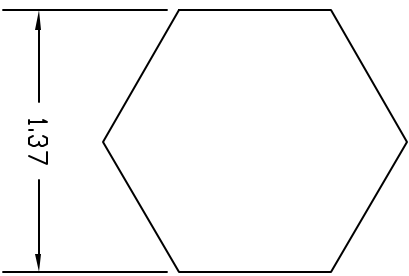
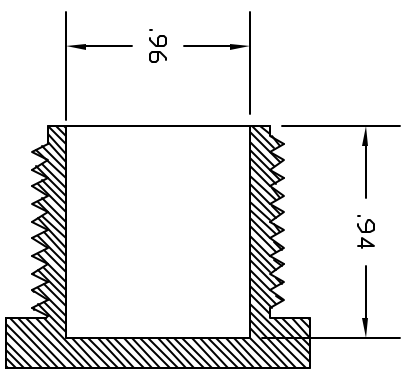
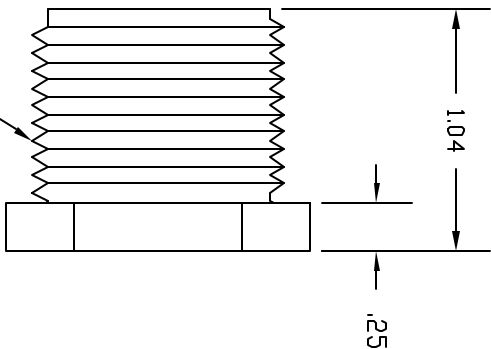


REVISIONS			
REV	DESCRIPTION	DATE	APPROVED
A	REDRAWN & RELEASED	1/98	1/98
B	UPDATE DWG	9/07	9/07



COLOR: BLACK (PPB)

NATURAL (PPN)

UNLESS OTHERWISE SPECIFIED DIMENSIONS ARE IN INCHES		Part Name:	1/4 NPT PLUG
DECIMAL TOLERANCES	FRACTIONAL TOLERANCES	Part Number:	TP4016/PP
XX +/- .05	1/4 - .05	THOGUS PRODUCTS	33490 PIN DAK PARKWAY
XXX +/- .015	1/4 - .015	AYDON LAKE OHIO	44012
DRAWN	DATE	MATERIAL	REV
NM	1/98	4016PP	B
TP4016/PP		TP4016/PP	
POLYPROPYLENE		SHEET 1	of 1

CONFIDENTIAL
THIS PRINT AND THE SPECIFICATIONS ARE THE PROPERTY OF THOGUS PRODUCTS COMPANY AND HAVE BEEN ISSUED WITH THE UNDERSTANDING THAT REVEALING THE DESIGN TO ANY OTHER MANUFACTURER FOR OTHERS AND WILL BE RETURNED UPON REQUEST.

CONTROLLED DOCUMENT
ONLY IF IN RED