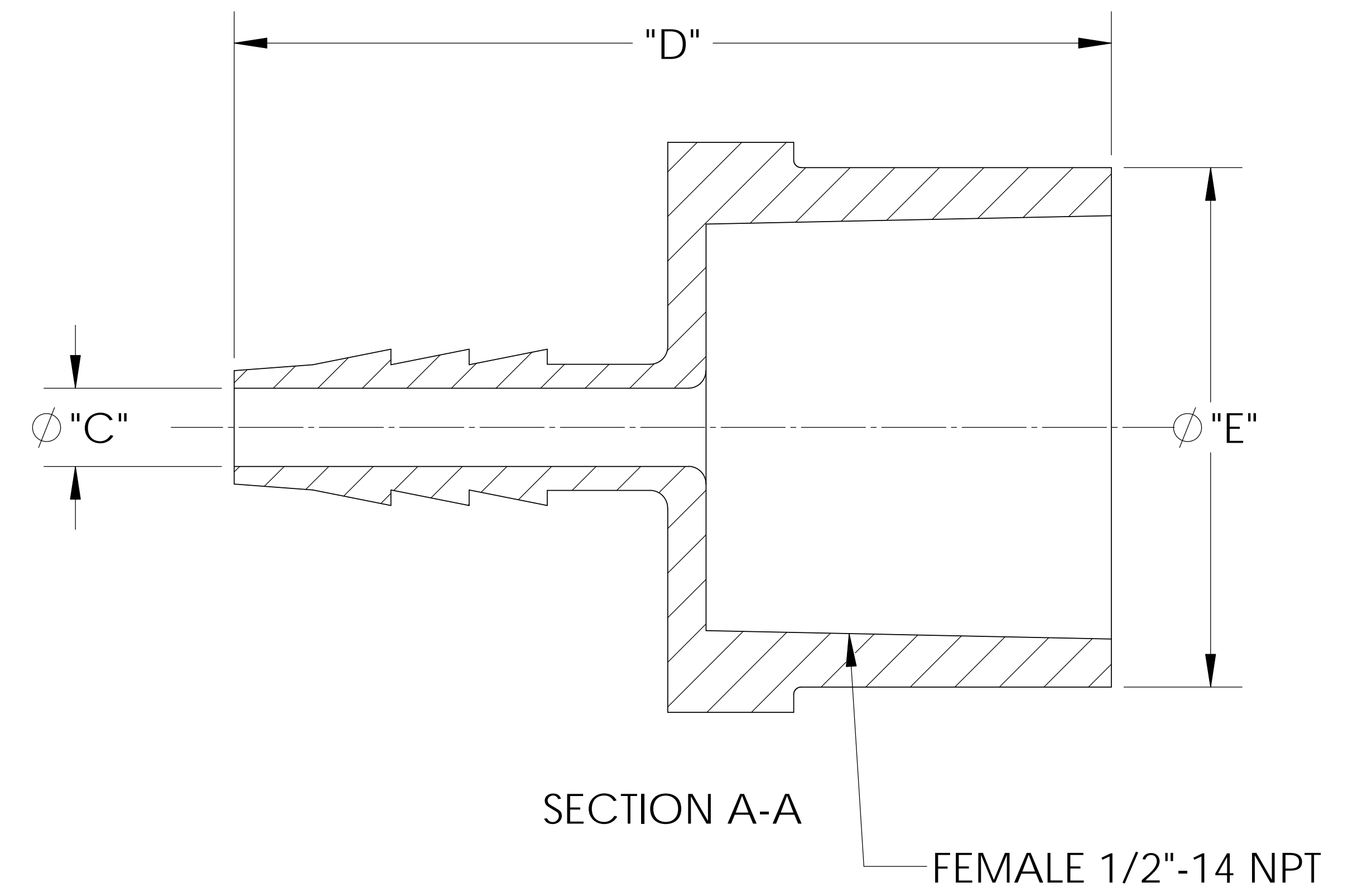
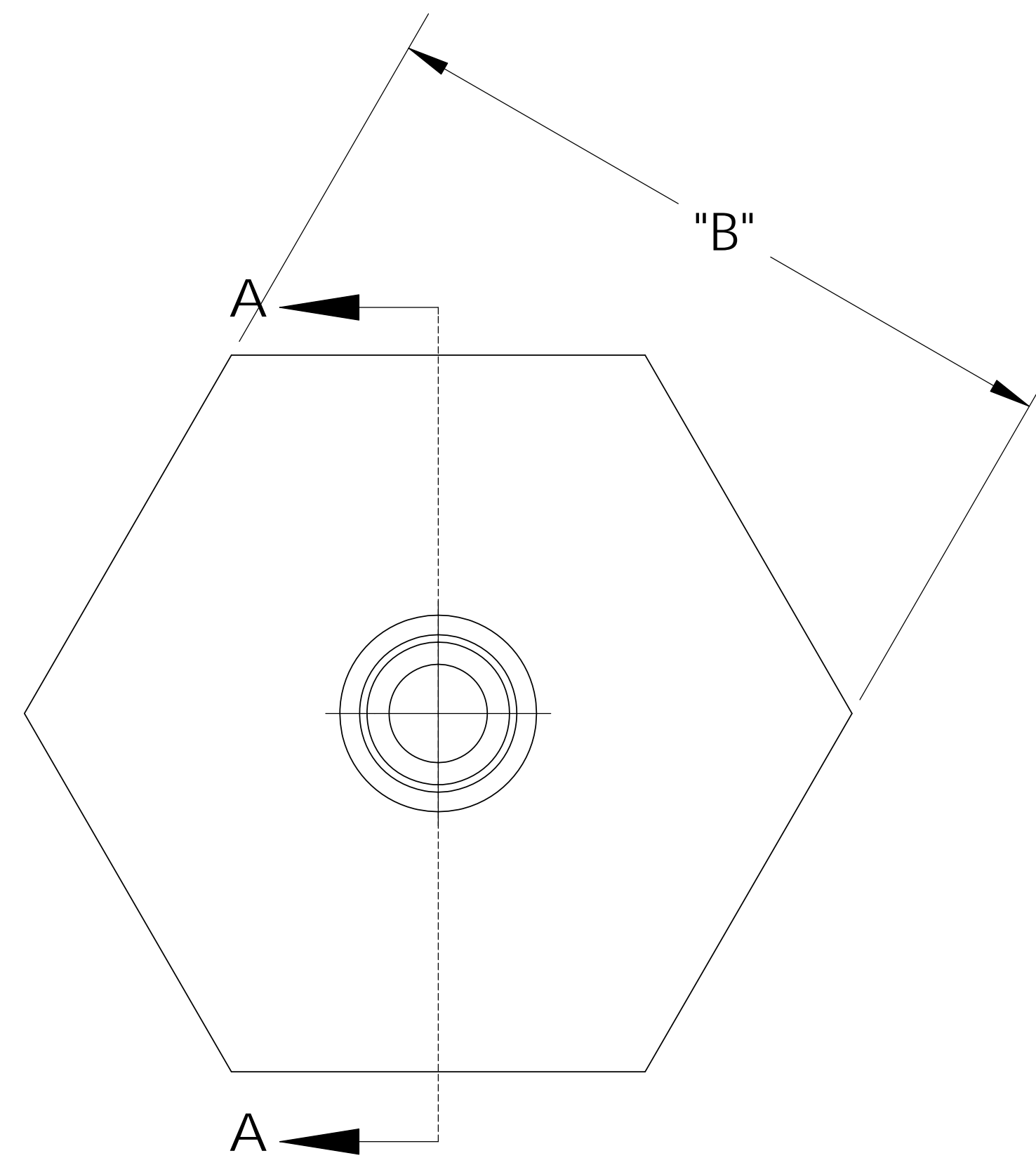
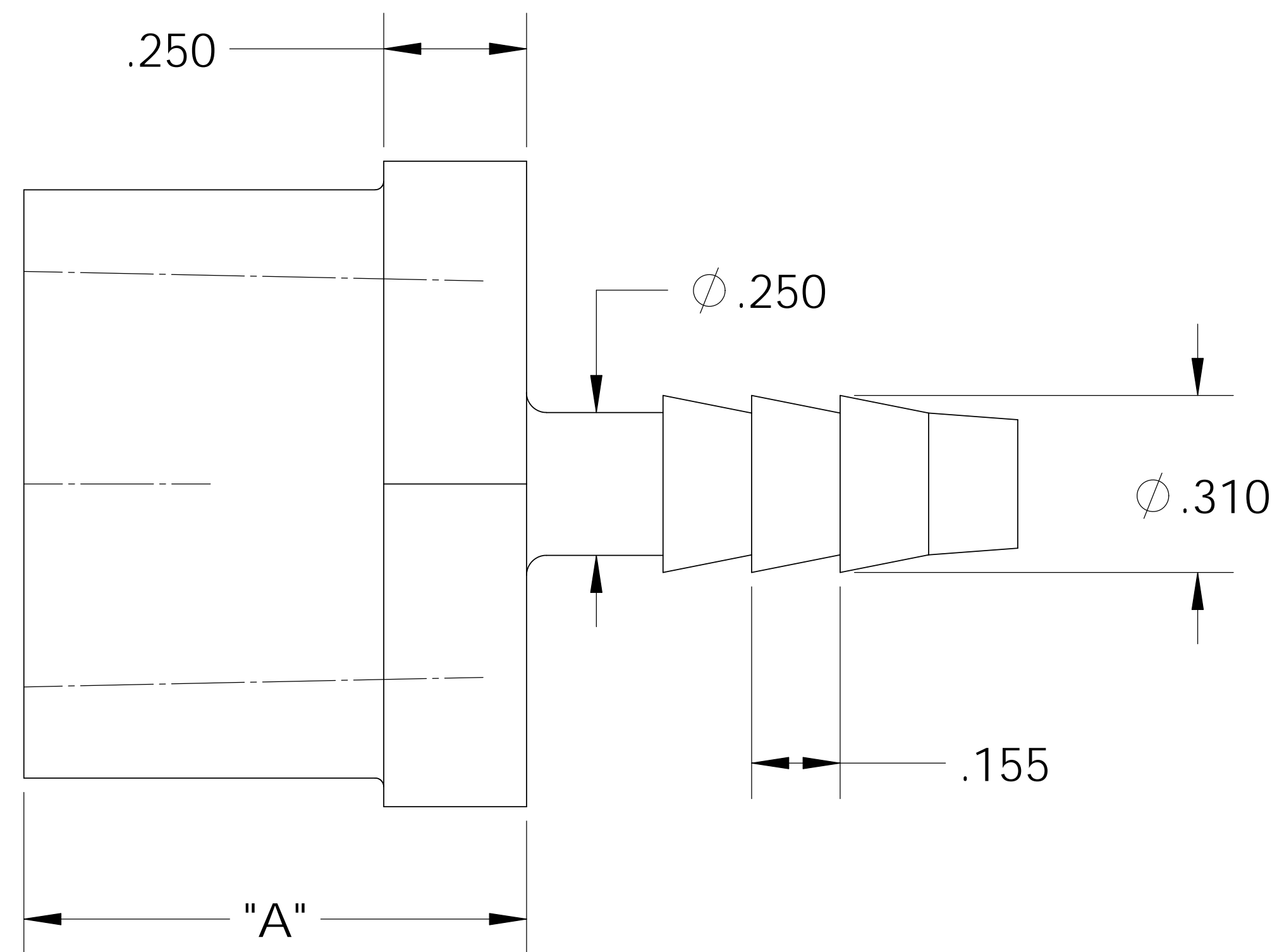
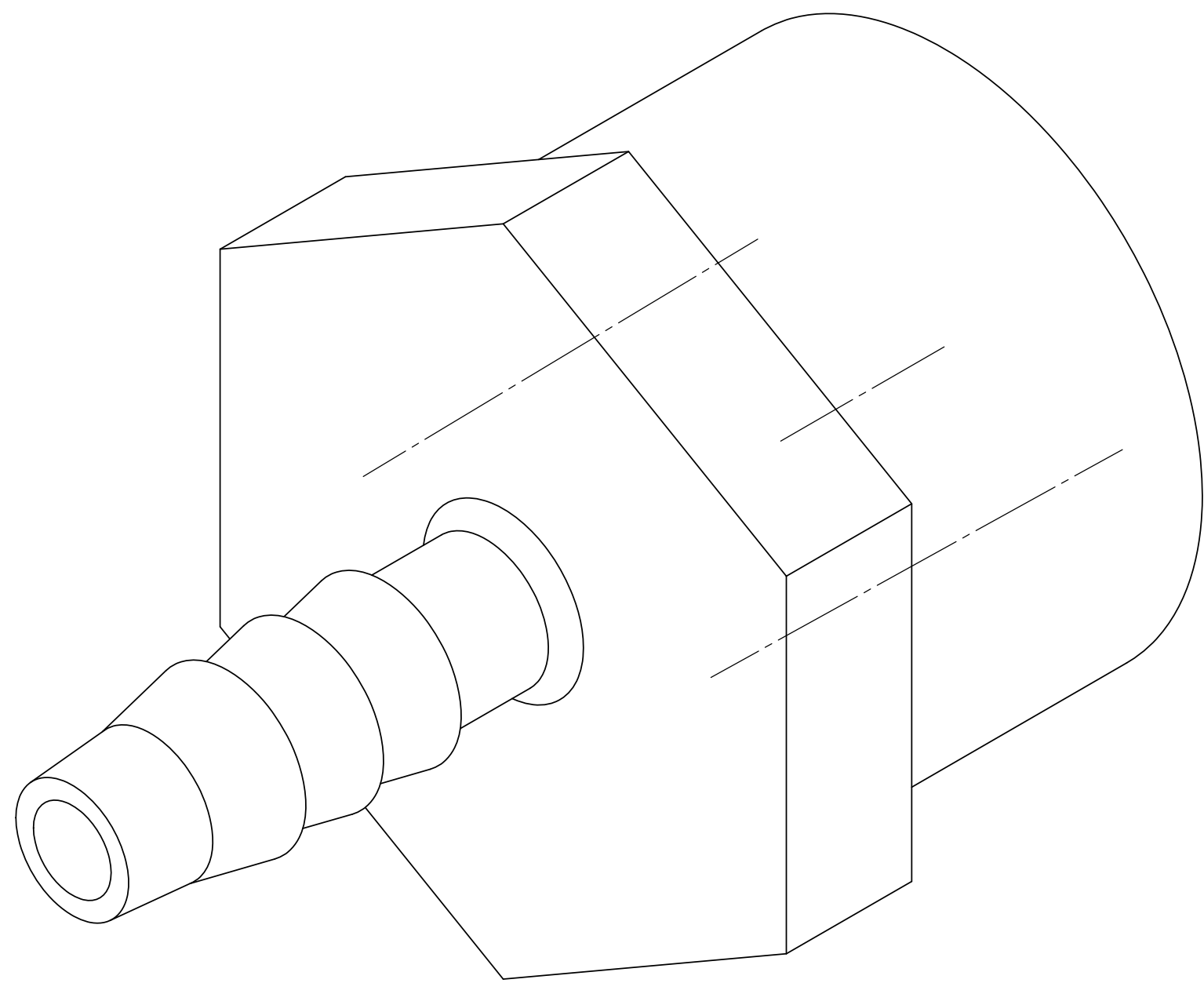


UNCONTROLLED IF PRINTED; CONTROLLED DOCUMENT LOCATED IN IQMS DOCUMENT CONTROL



NOTES:

- 1) POLYPROPYLENE HAS COLOR OPTIONS:  
 BLACK = TAF1084/PPB  
 NATURAL = TAF1084/PPN

**PROPRIETARY AND CONFIDENTIAL**  
 THE INFORMATION CONTAINED IN THIS DRAWING IS THE SOLE PROPERTY OF THOGUS PRODUCTS COMPANY. ANY REPRODUCTION IN PART OR AS A WHOLE WITHOUT THE WRITTEN PERMISSION OF THOGUS PRODUCTS COMPANY IS PROHIBITED.

SHOWN

CATALOG NO.	DESCRIPTION	MATERIAL	DIM "A"	DIM "B"	DIM "C"	DIM "D"	DIM "E"
TAF1084/PP	1/2" NPT X 1/4" PP	POLYPROPYLENE	.865	1.12	.150	1.73	1.020
TAF1084/N	1/2" NPT X 1/4" N	NYLON	.880	1.13	.155	1.74	1.030

REV	WRO#	DESCRIPTION
C	95.00144	CONVERTED TO 3D FORMAT
HISTORY		

UNLESS OTHERWISE SPECIFIED:		
DIMENSIONS ARE IN INCHES		
TOLERANCES:		
ANGULAR: ±0.5°		
X.X = ± 0.1		
X.XX = ± 0.05		
X.XXX = ± 0.015		
REMOVE ALL SHARP EDGES AND BURRS		
BLEND ALL RADII TO 0.01IN		
INTERPRET GEOMETRIC TOLERANCING PER: ANSI Y 14.5 1994		
MATERIAL: PP, N		
FINISH: NA		
THIRD ANGLE PROJECTION:		
DRAWN	JRM	05/24/11
CHECKED	KDJ	5/24/11
ENG APPR.		XX/XX/XX
MFG APPR.		XX/XX/XX
Q.A.		XX/XX/XX
COMMENTS:		

**Thogus** You think it, we can make it...  
 33490 PIN OAK, AVON LAKE, OH 44012  
**TITLE:**  
 1/2" NPT FEMALE X 1/4" BARB ADAPTER  
**REV C**  
 DWG. NO. TAF1084  
 SCALE: 2:1 MASS: SHEET 1 OF 1  
 DO NOT SCALE DRAWING