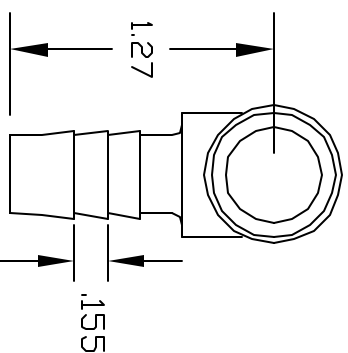
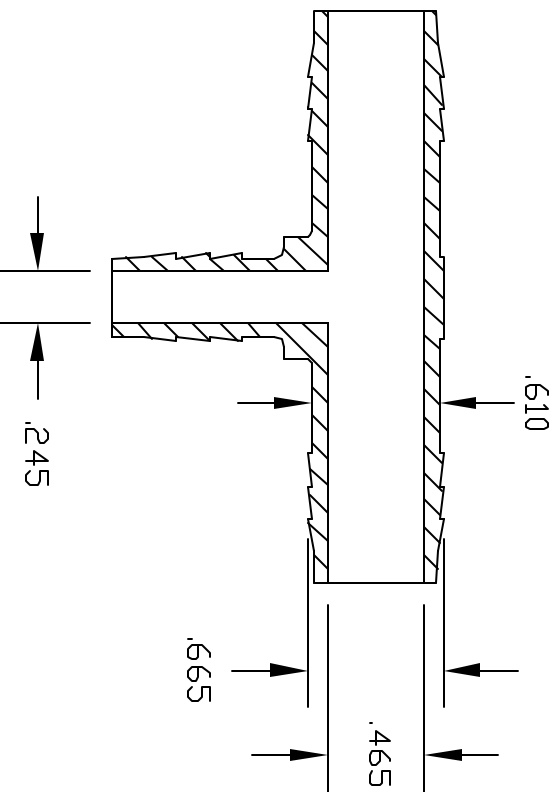
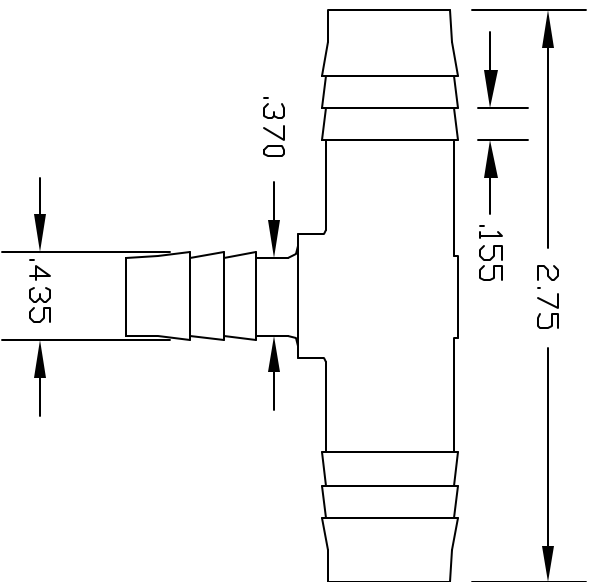


| REV | DESCRIPTION | DATE | APPROVED |
|-----|--------------------|------|----------|
| A | REDRAWN & RELEASED | 5/98 | 5/98 |
| B | UPDATE DRAWING | 6/00 | 6/00 |
| C | MODIFY BARBS | 3/07 | 3/07 |
| D | UPDATE DWG | 9/07 | 9/07 |



RECOMMENDATION
 THIS PRINT AND THE SPECIFICATIONS
 HEREIN ARE THE PROPERTY OF THOGUS
 PRODUCTS. IF THIS DRAWING HAS BEEN
 REPRODUCED OR TRANSMITTED IN ANY
 FORM OR BY ANY MEANS, WITHOUT THE
 WRITTEN PERMISSION OF THOGUS
 PRODUCTS, IT SHALL NOT BE REPRODUCED,
 COPIED, OR USED FOR THE
 MANUFACTURE OF OTHERS AND SHALL
 BE RETURNED UPON REQUEST.

UNLESS OTHERWISE SPECIFIED
 DIMENSIONS ARE IN INCHES
 DECIMALS
 TOLERANCES
 .XX ±.005
 .XXX ±.005
 ANGULAR
 ±.05

DRAWN: BM
 DATE: 6/00
 MATERIAL: NYLON

PART NAME: 3/8 BARB X 5/8 BARB X 5/8 BARB TEE
PART NUMBER: TT961010/N
SCALE: 1:1
SHEET: 1 OF 1

THOGUS PRODUCTS
 33490 PIN OAK PARKWAY
 AVON LAKE OHIO 44012

REV: D

CONTROLLED DOCUMENT
 ONLY IF IN RED