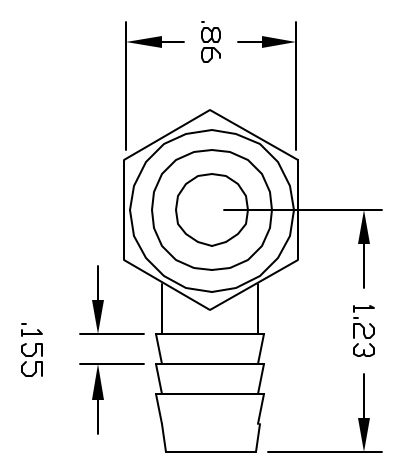
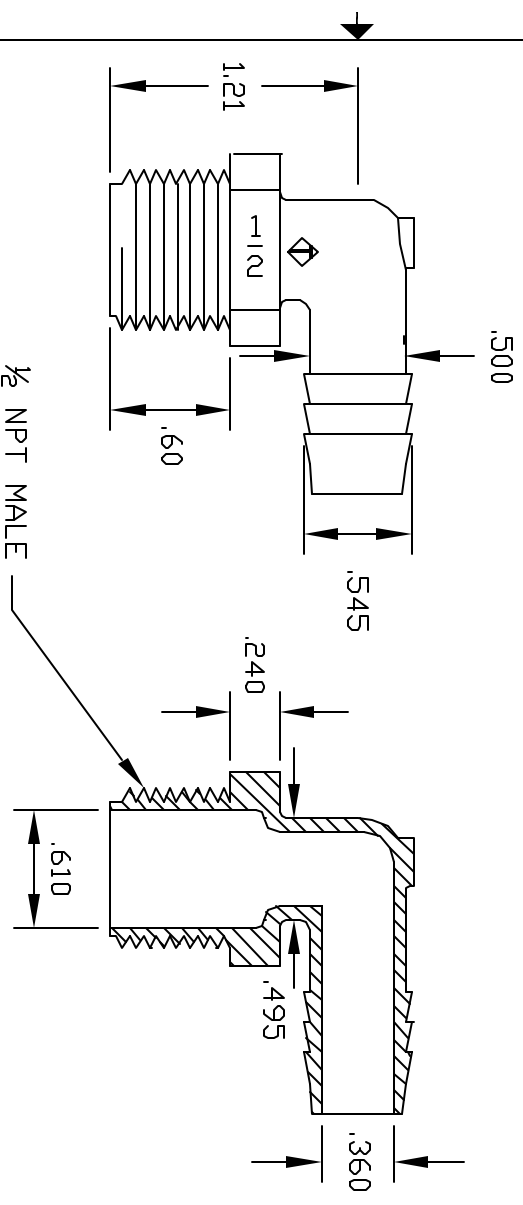


REVISIONS				
ZINC	REV	DESCRIPTION	DATE	APPROVED
	A	REDRAWN & RELEASED	5/98	5/98
	B	LEAD BARB	7/99	7/99
	C	.540 TD .550 1.11 TD 1.26 .500 TD .490 .90 TD .88	7/99	7/99



UNLESS OTHERWISE SPECIFIED DIMENSIONS ARE IN INCHES DECIMAL TOLERANCES XX +/- .05 XXX +/- .015		Part Name 1/2NPT X 1/2 BARB ELBOW
DRAWN MS	DATE 1/798	Part Number FE2088/P
FINISHED 2088P	MATERIAL POLYETHYLENE	Part Number FE2088/P
THIS PRINT AND THE SPECIFICATIONS ARE THE PROPERTY OF THOGUS PRODUCTS COMPANY AND HAVE BEEN ISSUED WITH THE UNDERSTANDING THAT ALL INFORMATION IS TO BE KEPT FOR THE MANUFACTURE OF THIS PART AND WILL BE RETURNED UPON REQUEST.		Part Number 33490 PIN DAK PARKWAY AYDON LAKE OHIO 44012
CONTROLLED DOCUMENT ONLY IF IN RED		SCALE 1:1
CONFORMANCE TO ASTM SPECIFICATION		SHEET 1 of 1