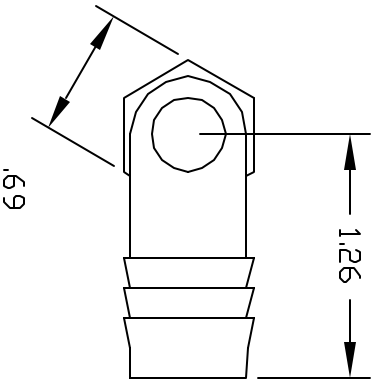
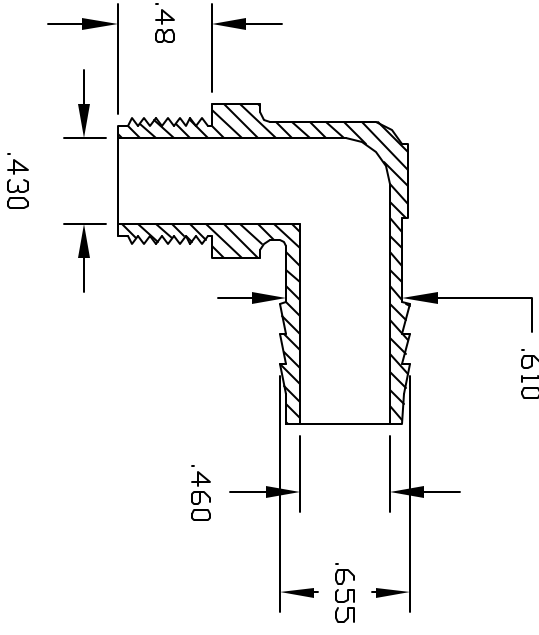
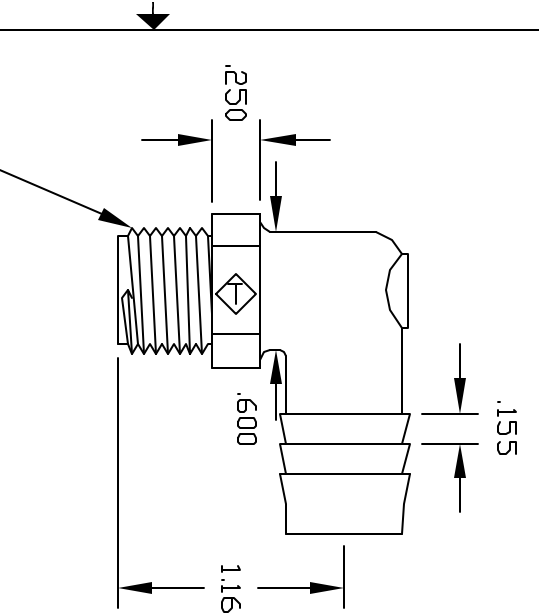


REVISIONS			
REV	DESCRIPTION	DATE	APPROVED
A	REDRAWN & RELEASED	5/98	5/98
B	.468 WAS .500	06/01	06/01
C	1.26 WAS 1.19 MODIFY BARBS	3/03	3/03



COLOR: BLACK (PPB)
NATURAL (PPN)

CONTROLLED DOCUMENT
ONLY IF IN RED

CONFIDENTIAL
THIS PRINT AND THE SPECIFICATIONS ARE THE PROPERTY OF THOGUS PRODUCTS COMPANY AND HAVE BEEN ISSUED WITH THE UNDERSTANDING THAT THE USER WILL BE RESPONSIBLE FOR OBTAINING THE NECESSARY RIGHTS FROM THE MANUFACTURER FOR OTHERS AND WILL BE RETURNED UPON REQUEST.

UNLESS OTHERWISE SPECIFIED DIMENSIONS ARE IN INCHES		TOLERANCES	
XX	+/- .05	XX	+/- .05
XXX	+/- .015	XXX	+/- .015
DRAWN	NM	DATE	11/05
DESIGNED	20610PP	MATERIAL	POLYPROPYLENE
Part Name:	3/8NPT X 5/8 BARB ELBOW	Part Number:	TE20610/PP
THOGUS PRODUCTS	33490PIN DAK PARKWAY AYDON LAKE OHIO 44012	SCALE	1:1
REV	C	SHEET	1 of 1

THE INFORMATION CONTAINED HEREIN IS UNCLASSIFIED