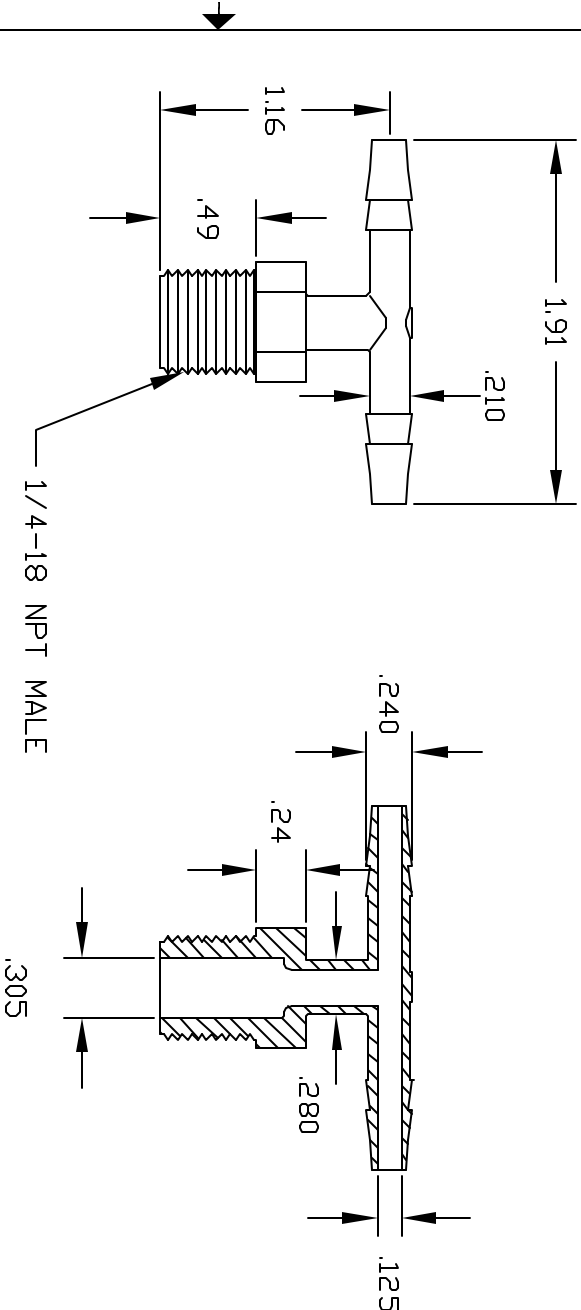
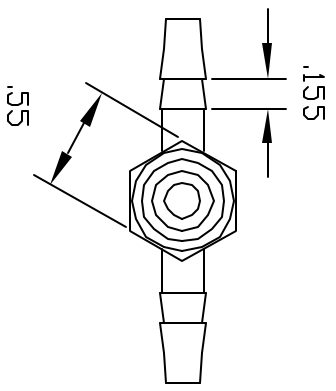


REV	DESCRIPTION	DATE	APPROVED
A	DRAWN AND RELEASED	4/98	4/98
B	MODIFY BARBS	12/06	12/06



1/4-18 NPT MALE



COLOR: BLACK (PPB)
NATURAL (PPN)

UNLESS OTHERWISE SPECIFIED DIMENSIONS ARE IN INCHES TOLERANCES ARE: DECIMALS .005 FRACTIONS .005 ANGLES .05		Part Name: 1/4NPT X 3/16 BARB X 3/16 BARB TEE
DESIGNER: 3433PP	DATE: 4/98	THOGUS PRODUCTS 33490 PIN OAK PARKWAY AVON LAKE OHIO 44012
DRAWN: NM	DATE: 4/98	
MATERIAL: POLYPROPYLENE	Part Number: TT3433/PP	REV: A
SCALE: 1:1	SHEET: 1 of 1	

CONTROLLED DOCUMENT
ONLY IF IN RED