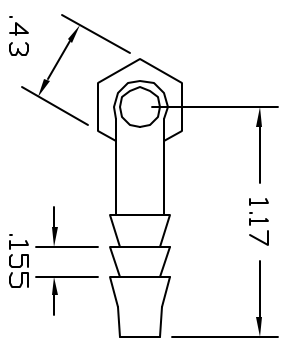
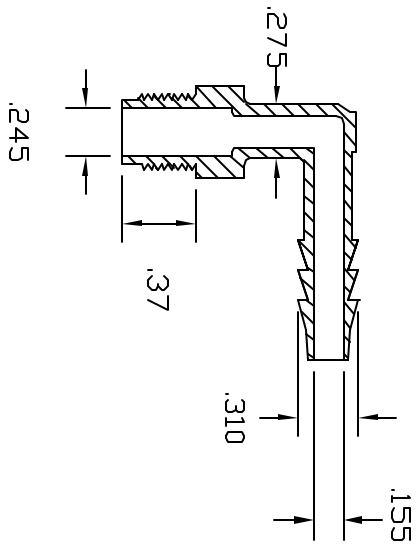
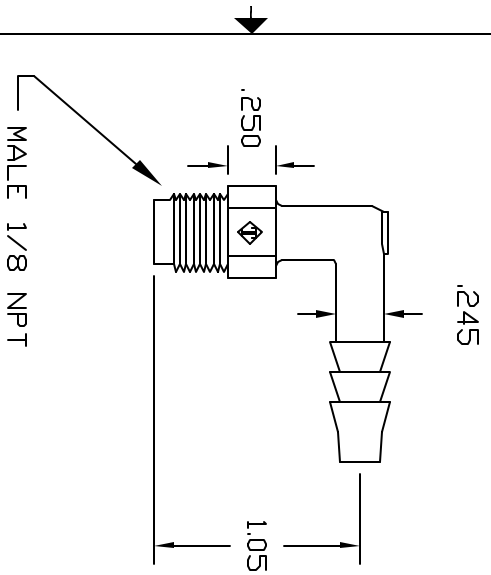


REVISIONS			
REV	DESCRIPTION	DATE	APPROVED
A	REDRAWN & RELEASED	11/97	11/97
B	UPDATE DWG. WITH NEW THREAD TOOLING	5/00	5/00
C	MODIFY BARBS	12/02	12/02



CONTROLLED DOCUMENT
ONLY IF IN RED

COLOR: BLACK (PPB)

NATURAL (PPN)

CONFIDENTIAL
THIS PRINT AND THE SPECIFICATIONS ARE THE PROPERTY OF THOGUS PRODUCTS COMPANY AND HAVE BEEN ISSUED WITH THE UNDERSTANDING THAT REVIEW AND THE REPRODUCTION OF THIS DRAWING FOR OTHERS AND ALL MANUFACTURE FOR OTHERS AND WILL BE RETURNED UPON REQUEST.

UNLESS OTHERWISE SPECIFIED DIMENSIONS ARE IN INCHES		PART NAME: 1/8 NPT X 1/4 BARBED ELBOW	
TOLERANCES UNLESS OTHERWISE SPECIFIED		DRAWN: NM	
FRACTIONS: 1/16, 1/32, 1/64, 1/8, 1/4, 1/2, 3/4, 1, 2, 3, 4, 5, 6, 8, 10, 12, 16, 20, 24, 30, 36, 48, 60, 72, 96, 120, 144, 180, 240, 300, 360, 480, 600, 720, 960, 1200		DATE: 11/97	
DECIMALS: .005, .010, .015, .020, .030, .040, .050, .060, .070, .080, .090, .100, .125, .150, .175, .200, .250, .300, .375, .400, .450, .500, .562, .625, .750, .875, 1.000, 1.125, 1.250, 1.500, 1.750, 2.000, 2.250, 2.500, 3.000, 3.500, 4.000, 4.500, 5.000, 5.500, 6.000, 6.500, 7.000, 7.500, 8.000, 8.500, 9.000, 9.500, 10.000		MATERIAL: POLYPROPYLENE	
THOGUS PRODUCTS 33490 PIN OAK PARKWAY AVON LAKE OHIO 44012		PART NUMBER: TE2024/PP	
SCALE: 1:1		SHEET: 1 of 1	